

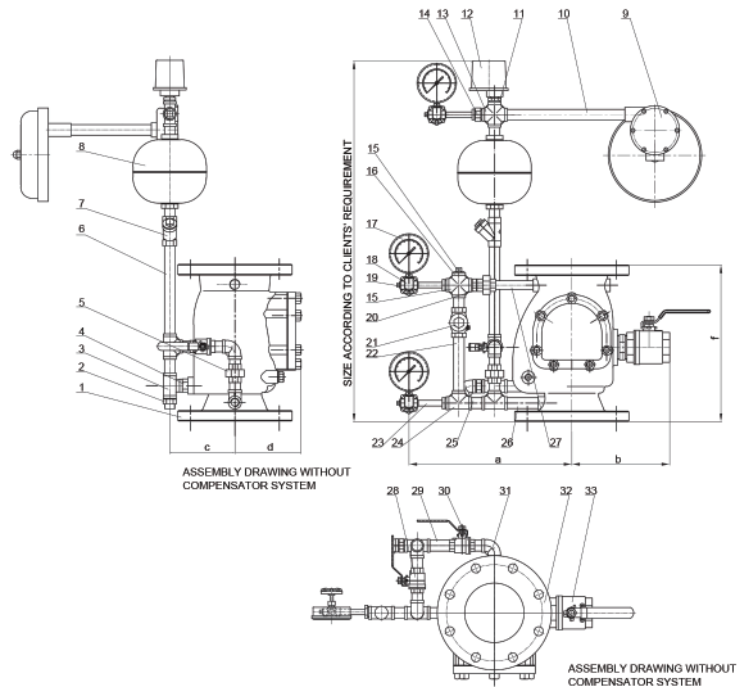
## Technical Features

- Maximum Working Pressure: 300 PSI.
- Flange Standard: ANSI B16.4 CLASS 150 (Standard Supply).
- Groove Standard: AWWA C606 (Optional Supply).
- Working Temperature: 4°C-70°C.
- Installation Height of the Gong According to Clients' requirements.
- Gong can be installed indoor or outdoor through wall as to clients' requirements.
- Coating details: Epoxy coated interior and exterior by Electrostatic Spray.
- Alarm check valves use in wet pipe of sprinkler system.
- Sizes: 2", 2.5", 3", 4", 5", 6", 8", 10", & 12".
- Clapper Material is stainless steel 304 from 2" to 8", or Ductile Iron for 10" & 12".



## Valve Material List

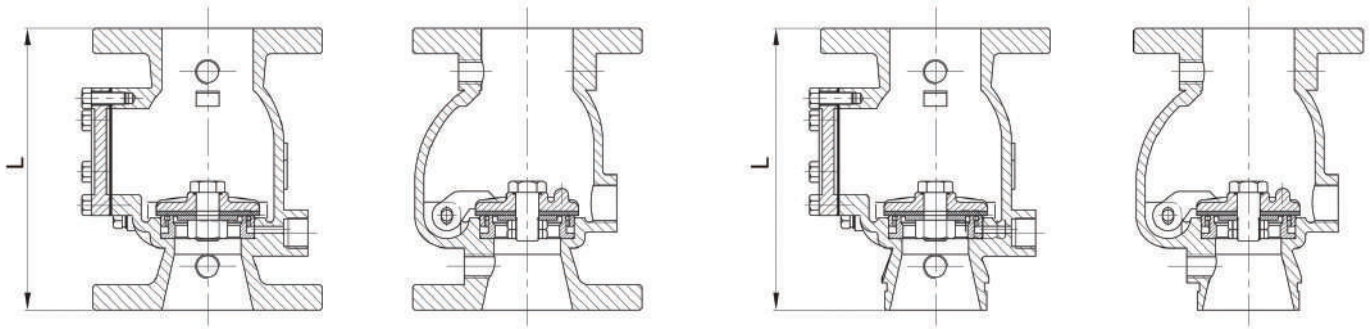
Size	Name	Material	QTY.
1	Body & Cover	Ductile Iron	1
2	Orifice,Retard	C954/SS304	1
3	Tee	Steel/SS304	2
4	Nipple	Steel/SS304	6
5	Union	Steel/SS304	1
6	Nipple	Steel/SS304	1
7	Y Strainer	C954/SS304	1
8	Retard Chamber	Carbon Steel	1
9	Gong Assembly	Component	1
10	Nipple	Steel/SS304	1
11	Reducer Bushing	Steel/SS304	1
12	Pressure Switch	Component	1
13	Cross	Steel/SS304	1
14	Reducer Bushing	Steel/SS304	1
15	Plug	Steel/C954/SS304	1
16	Cross	Steel/SS304	2
17	Pressure Gauge	Component	3
18	3-way Valve Gauge	C954/SS304	3
19	Plug	Steel/C954/SS304	3
20	Orifice,retard	C954/SS304	1
21	Check Valve	C954/SS304	1
22	Nipple	Steel/SS304	1
23	Nipple	Steel/SS304	3
24	Tee	Steel/SS304	2
25	Nipple	Steel/SS304	4
26	Nipple	Steel/SS304	1
27	Nipple	Steel/SS304	1
28	Ball Valve	C954/SS304	1
29	Nipple	Steel/SS304	1
30	Ball Valve	C954/SS304	1
31	Elbow	Steel/SS304	2
32	Nipple	Steel/SS304	1
33	Ball Valve	C954/SS304	1



## Dimensions

Size	a	b	c	d
2"	340	205	145	110
2.5"	340	205	145	110
3"	340	205	145	110
4"	342	250	160	136
5"	349	274	180	162
6"	349	274	180	162
8"	415	290	205	195
10"	475	340	240	235
12"	495	368	270	270

**General Technical Information**



**Flange\* Flange**

**Dimension Chart**



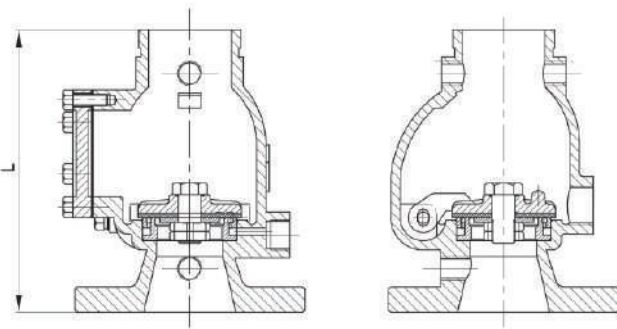
Size	L(mm)	L(inch)
DN50(2in)	233	9.17
DN65(2.5in)	236	9.29
DN80(3in)	245	9.65
DN100(4in)	316	12.44
DN125(5in)	386	15.20
DN150(6in)	390	15.35
DN200(8in)	438	17.24
DN250(10in)	535	21.06
DN300(12in)	622	24.49

**Flange\*Groove**

**Dimension Chart**



Size	L(mm)	L(inch)
DN50(2in)	239	9.41
DN65(2.5in)	240	9.45
DN80(3in)	245	9.65
DN100(4in)	316	12.44
DN125(5in)	386	15.20
DN150(6in)	390	15.35
DN200(8in)	438	17.24
DN250(10in)	535	21.06
DN300(12in)	622	24.49

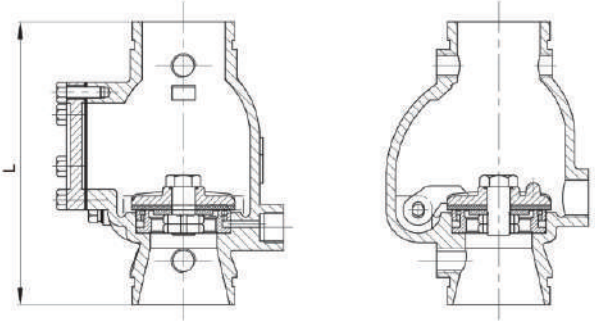


**Groove\*Flange**

**Dimension Chart**

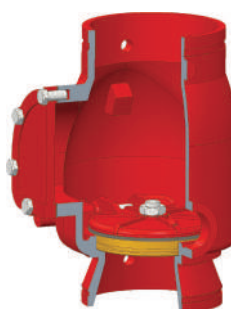


Size	L(mm)	L(inch)
DN50(2in)	239	9.41
DN65(2.5in)	240	9.45
DN80(3in)	245	9.65
DN100(4in)	316	12.44
DN125(5in)	386	15.20
DN150(6in)	390	15.35
DN200(8in)	438	17.24
DN250(10in)	535	21.06
DN300(12in)	622	24.49



**Groove\*Groove**

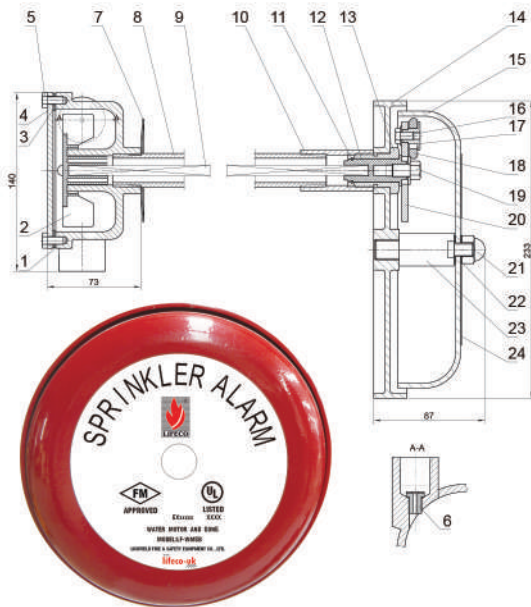
**Dimension Chart**



Size	L(mm)	L(inch)
DN50(2in)	245	9.65
DN65(2.5in)	245	9.65
DN80(3in)	245	9.65
DN100(4in)	316	12.44
DN125(5in)	386	15.20
DN150(6in)	390	15.35
DN200(8in)	438	17.24
DN250(10in)	535	21.06
DN300(12in)	622	24.49

## Technical Features

- Designed and manufactured in accordance with FM1055
- Test Standard: FM1055
- Temperature: 0 to 100°C
- Nominal Pressure: 0-300PSI



## Material List

Size	Name	Material
1	Driver Shell	Aluminium Alloy
2	Impeller	Delrin
3	Sealing Gasket	Epdm
4	Cover	1045 or SS304
5	Bolt	1045 or SS304
6	Nozzle	C954
7	Gasket	1566
8	Support Pipe	1045 or SS304
9	Drive Shaft	Aluminium Alloy
10	Sleeve	1045 or SS304
11	Internal Circlips	SS304
12	Drive Shaft Adaptor	Delrin
13	Supporting Screw	Aluminium Alloy or SS304
14	Bell Seat	Aluminium Alloy
15	Gong	Aluminium Alloy
16	Bolt	Aluminium Alloy or 1045
17	Support Nut	Aluminium Alloy
18	Striker	Phenolic Resin
19	Bolt	Aluminium Alloy or SS304
20	Joint	Aluminium Alloy
21	Screw Nut	Aluminium Alloy or SS304
22	Gasket	Delrin
23	Supporting Post	Aluminium Alloy or SS304
24	Tag	Paper