

Feature and Benefits

- EN54-18 Compliance
- Built-in MCU processor and digital addressing
- Intelligent self-diagnosis of open circuit
- Enhanced capacity of interference resistance by using multilevel wave filtering process
- LED status indicator
- Onsite Adjustable Parameter
- Loop and external power input
- Aesthetically pleasing design
- Parallel connecting up to 16 conventional detector
- Unit mounting with fix base for simple installation



Overview

The LF-X5201 Addressable Zone Monitor unit is an addressable interface module, which will integrate conventional detectors or conventional manual call points to addressable system. When any of the connected devices alarms are active, the unit can send the alarm message to fire alarm controller, which generates alarm signal and displays its address. The unit can match with the conventional optical smoke detector, conventional rate of rise and fixed temperature detector and conventional manual call point etc. It has the function of checking short or open circuit of the output connection, by the End of Line Resistor (EOLR). The fault message includes open circuit, short circuit or any removal of the detectors.

The unit manufactured base on the requirement of EN 54 part 18, European Standard. The unit is aesthetically pleasing with unobtrusive design that will complement modern building designs and its plug-in type assemblies make installation and maintenance more convenient to the installer. The unit is compatible to the LF-X500 Analogue Intelligent Fire Alarm Control Panel, produced by single manufacture LIFECO, to avoid addressable communication compatibility problem.

Technical Specification

Compliance	EN54-18:2005/AC2007
Operating Voltage	Loop: Loop 24V (16V~28V) Power: 24VDC (20VDC~28VDC)
Current Consumption	Loop: Standby 1.3mA, Alarm: 5mA External PSU: Standby10mA, Alarm: 60mA
Control output voltage	24VDC (Only for the use of LF-X5130, Do not allow the short circuit)
End of line Resistance	5.1Kohms / ¼ W
Protocol/Addressing	LIFECO, Value range from 1 to 254
Indicator	Status Normal: Single blink/ Active: Steady/Fault: Double Blink
Material / Colour	ABS / White Glossy finishing
Dimension / LWH	108 mm x 86 mm x38 mm
Weight	154g (with Base), 83g (without Base)
Operating Temperature	-10°C to +50°C
Ingress Protection Rating	IP30
Humidity	0 to 95% Relative Humidity, Non condensing

In line with our policy of continuous product improvement LIFECO reserves the right to modify specifications without prior notice.



Module and Wiring Details

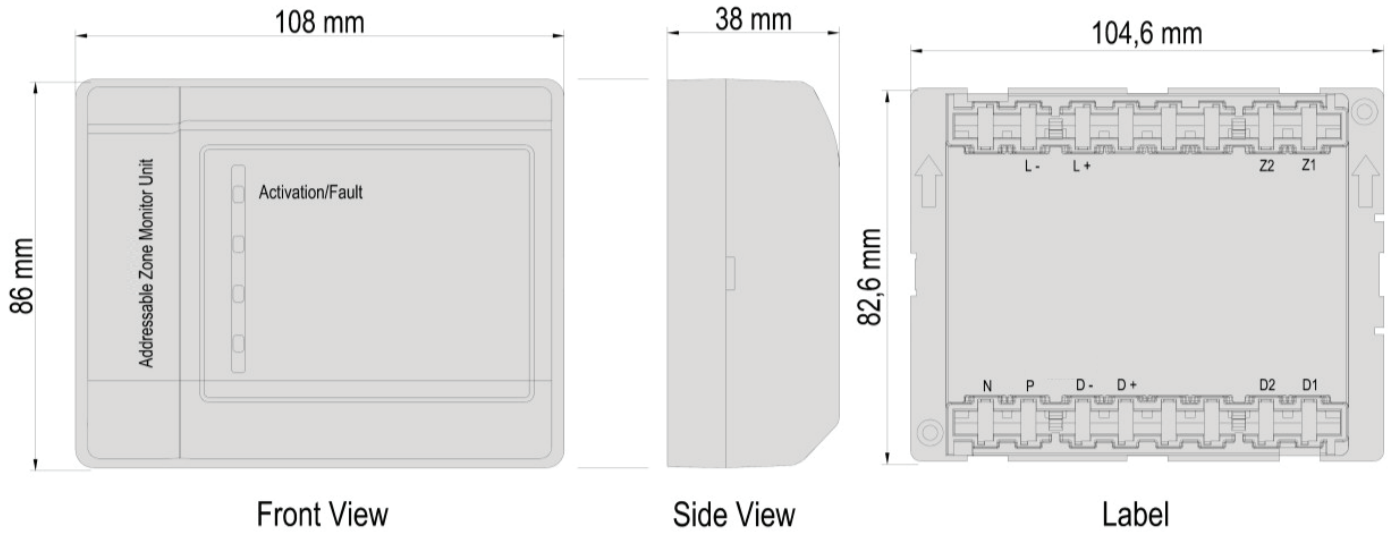


Figure 1: Addressable Sounder Circuit Module

Terminal Description

- Z1 Signal In/Out (+)
- Z1 Signal Out (+)
- Z2 Signal In (-)
- Z2 Signal Out (-)
- P connect detectors, Non-polarity
- N connect detectors, Non-polarity
- D1 External Power Supply (+)
- D2 External Power Supply (-)
- D+, D- Output Cable (Only for the use of LF-X5130)
- L+ Remote Indicator (+)
- L- Remote Indicator (-)

